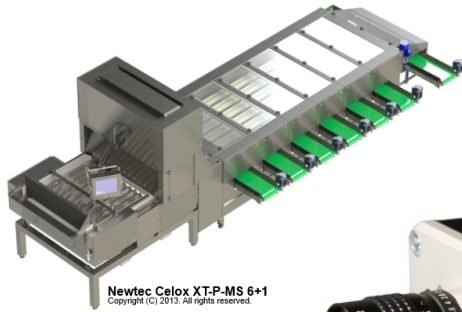


Industrial application pipelines with Gstreamer

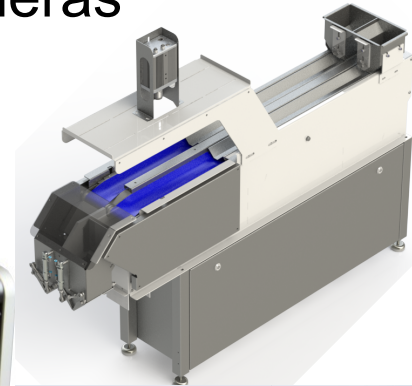
Marianna S. Buschle
msb@qttec.com

Qtechnology

- Modular smart cameras



Newtec Celox XT-P-MS 6+1
Copyright (C) 2013. All rights reserved.



Checkpoint-series
QC60PN

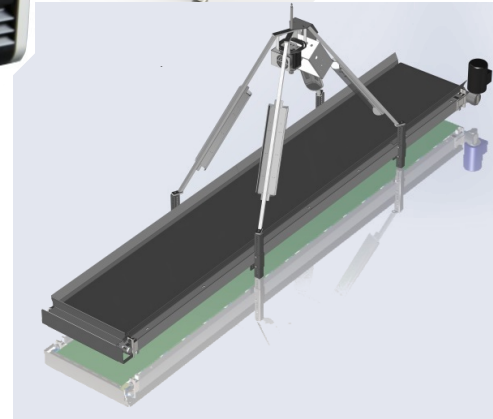


Image processing

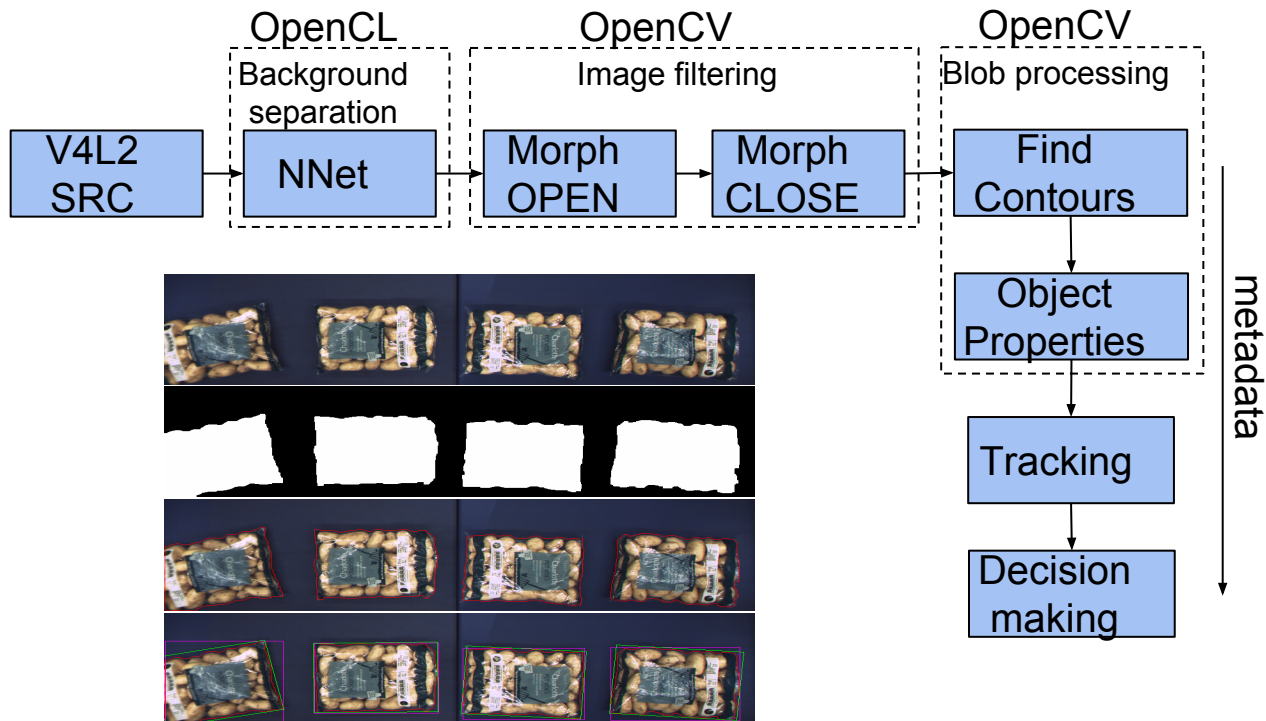
- Background separation
 - NNet, threshold, image subtraction...
- Image filtering and enhancement
 - Morphological filters (open, close)
 - Sharpening
- “Blob” processing
 - Contour finding
 - Object properties: size, position, color...
- Tracking
- Decision making

Gstreamer Elements

- Easy prototyping
 - Sandbox
- Faster development
 - Common elements
- Image processing elements
 - OpenCV
 - OpenCL

Pipelines

- How to pass the information? Metadata



Conclusions

- Image processing vs Multimedia applications
- Performance
 - Profiling
- How to separate blocks?
 - Generic elements
 - Gstreamer application

Questions?

?